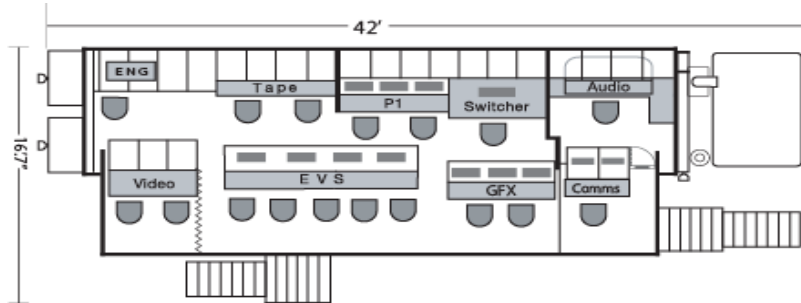




HD1 Production Vehicle



Cameras:

- 6 Sony HDC-1500 Multi-Format Cameras
- 5 Sony HDVF-C750W 6" Color HD VFs
- 6 HDFX-100 Fiber to Triax Adapters
- 6 HDTX-100 Triax to Fiber Adapters
- 1 Sony EX3 POV Camera

Note: wired for up to 10 CCUs

Lenses:

- 1 Fujinon XA 88 x 8.8 BESM
- 2 Fujinon XA 76 x 9.3 BESM
- 2 Fujinon HA 22 x 7.8 BERM
- 1 Fujinon HA 18 x 7.6 BERM

**Note additional lenses available upon request*

Camera Supports:

- 3 Vinten Vector 70/700 Tripods
- 4 Sachtler 20 Tripods

Production:

- 1 Grass Valley Kalypto HD 4 ME Switcher:
 - 75 Inputs 4 Keyers per ME
 - 48 Outputs Still Store Animation
 - HD Curl 6 Transform Engines
- Evertz/Centrio w/10 Multi-Viewer
- 24 Unit LCD Monitor Wall (16 ISOs)
- 1 Image Video TSI-1000 Tally System w/ UMDs
- 1 Leitch Platinum 256 x 256 Router:
 - 128 x 136 Digital HD/SD Matrix
 - 32 x 32 Analog Matrix
 - 24 Router Control Panels (RCP's)
- 4 Leitch X75HD-AV Frame Synchronizers
- 6 AJA FS-1 Frame Synchronizers
- 9 Leitch NEO Up, Down, Cross Converters
- 8 Leitch FR-6802+ Frames:
 - Conversion, Distribution and Fiber I/O
- 3 Videotek TVM-900 HD/SDI Scopes
- 2 Tektronics TG-700 Test Generators
- 2 Videotek VTM On-Screen Monitor w/Remote
- 2 For-A DCC 70 HD/SD Color Correctors

Graphics:

- 1 Chyron HyperX3 HD/SD Character Generator
 - 2 Channel System w/ EFX
 - eFX Clip, Lyric PRO & Lyric

Recording & Playback:

- 1 EVS XT[2] 6 Channel HD DDR
- 1 EVS XT[2] 6 Channel HD DDR (Open Config)
- 1 EVS XT-Nano 2 Channel Spot Box
- 1 EVS X-File[3]
 - 4 Removable 1TB SATA HDD, eSATA & USB3
 - 10Gigabit Ethernet ports (SFP+ connectors) Multimode Fiber
- 2 Sony HDW M-2000 1080i VTRs
- 2 AJA KiPro Disk Recorders
- 2 DNF ST-300 Controllers
- 1 Lance TDC-100 Controller
- 1 DVD Dual Recorder

Audio:

- 1 Studer Vista 5 Digital Console:
 - MADI w/ST Fiber Connection (Single port total 64)
 - OTR 1210 (Single Mode MADI Coax to MADI Fiber Transceiver)
 - 64 Channels Bi-Directionally
 - 32 AES In/Out 32 Line Input
 - 24 Mic Input 32 Line Output
- 2 Digicart II w/ Remote
- 1 HHB CD/RW with Word Clock
- 1 DK Digital Audio Scope (5.1 Surround)
- 20 Wohler Audio Monitors
- 5 Sennheiser Sportscaster Headsets
- 3 Daltech Talkback Boxes
- 2 Clearcom AB-100 Talkback Boxes
- 1 Leitch Integrator 64 x 64 Stereo Audio
- 1 Leitch Integrator 96 x 96 Coax AES
- Genelec 5.1 Monitor System w/ Sub-woofer
- 1 Dolby DP571 E Encoder
- 1 Dolby DP572 E Decoder
- 4 Long Shotgun Mics (P)
- 4 Short Shotgun Mics (P)
- 5 Sony ECM-77B Lavaliers
- 5 Electro Voice RE-50 Hand Mics

**Big Ears Parabolic Reflectors available*

Communications:

- 1 RTS Cronus 96 x 96 Digital Matrix
- 12 Powered PL Channels / SAP 1626
- 8 IFB Channels (Wet/Dry)
- 4 TIF Telco Interface
- 11 RTS KP 632 Key Panels
- 7 RTS KP 12 Key Panels
- 1 RTS KP98-7 Keypanel
- 10 RTS BP-325 Beltpacks w/ Headsets
- 1 14-Line Toshiba PBX
- 2 Kenwood Walkie Base Station
- 4 Kenwood Handheld Radios
- 10 Baofeng Handheld Radios
- 2 Telos 1+1 Telephone Hybrids

Outboard Monitors:

- 1 26" Panasonic LCD HD/SD/Analog Monitor
- 1 24" Sony Multi-Format LCD Monitor
- 2 17" Panasonic HD/SD/Analog Monitor
- 5 15" Coby Flat Panel HDMI/Analog Monitor
- 1 Sony BVM-14" Multi-Format CRT Monitor
- 2 Sony LVM-9050 9" HD/SDI Monitors

Transmission Output:

- 2 Tandberg HD Encoders
- ASI or Modulated Transport Stream (Optional)

Truck Physical Specs:

- 2007 Freightliner Argosy 2000 Chassis
- Seating for 18 Crew
- Weight: 54,000lbs (GVW)
- Length: 40'
- Height: 13'
- Width: 8' 6" Not Expanded
- Expandable Section: 31' x 5'
- HD1 NY Plate No. 74438JW

HD-1 Power Requirements:

- 1x 208v, 200a Single Phase
- 250' CamLock Cable w/ Pigtails

HD-1 B-Unit Support Truck

- 2009 Freightliner M2
- Weight: 33,000lbs (GVW)
- Length: 31', Height: 12'8", Width: 8'2"
- *Length w/Lift Gate Extended: 37'
- Cantilever Lift Gate
- Depth: 6', Width: 8'2"
- 208v, 60a Single Phase Shore Power